

Reflex Hammer Accessory Kit

Order Code RFX-ACC



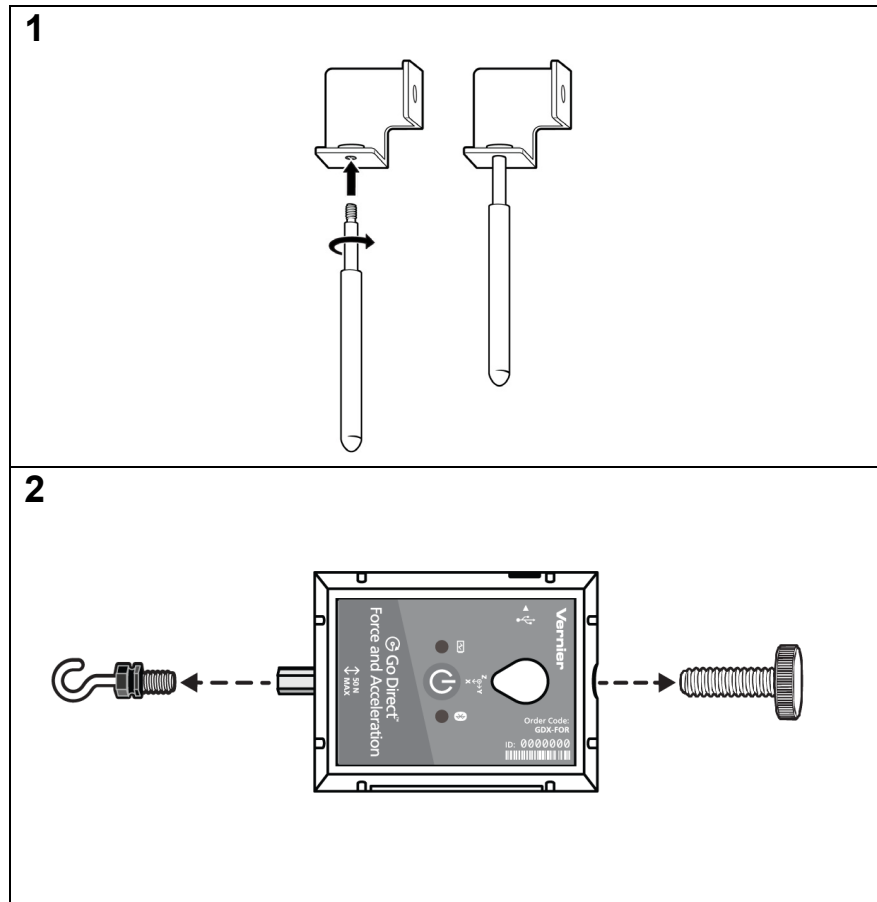
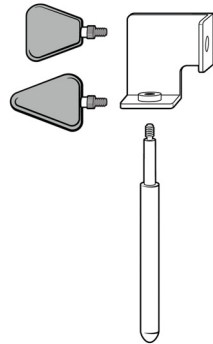
What's Included

- Wide-taper head
- Narrow-taper head
- Bracket
- Handle

The Reflex Hammer Accessory Kit is used to turn Go Direct[®] Force and Acceleration or a Dual-Range Force Sensor (sensors not included) into a reflex hammer that collects data.

For more information, see www.vernier.com/rfx-acc

Assembly Instructions



Reflex Hammer Accessory Kit

Order Code RFX-ACC



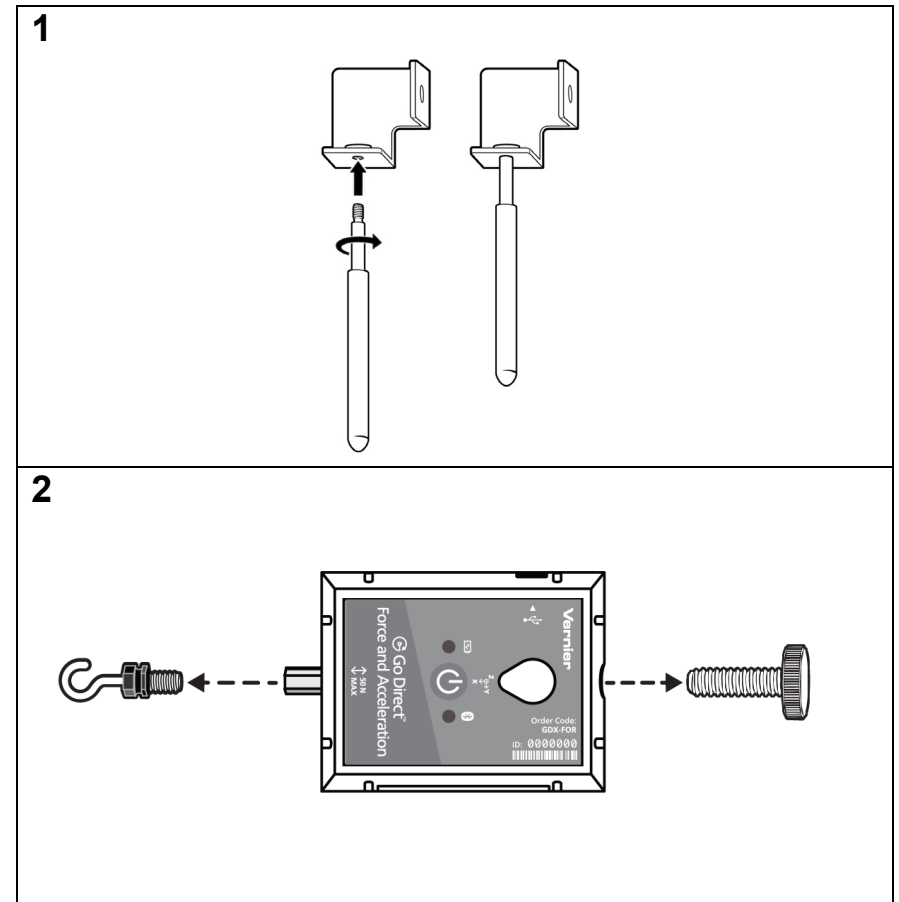
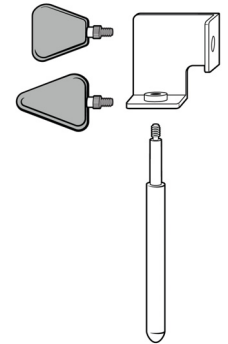
What's Included

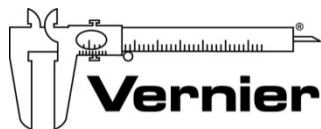
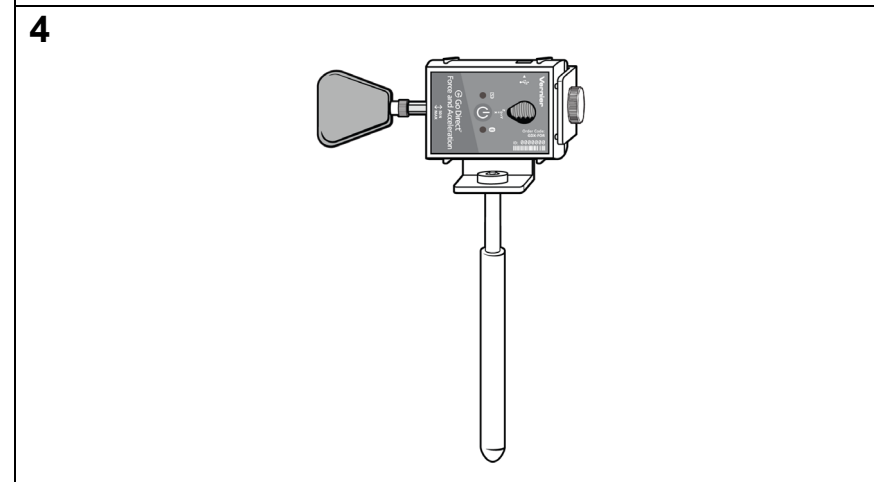
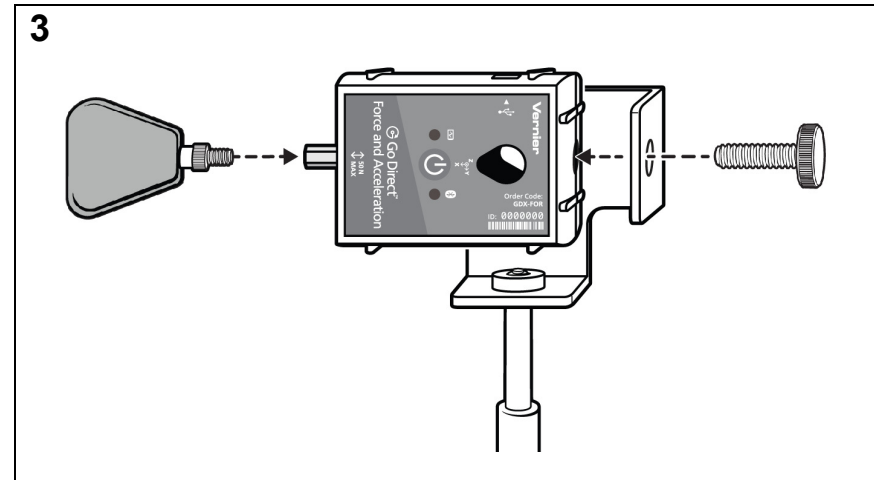
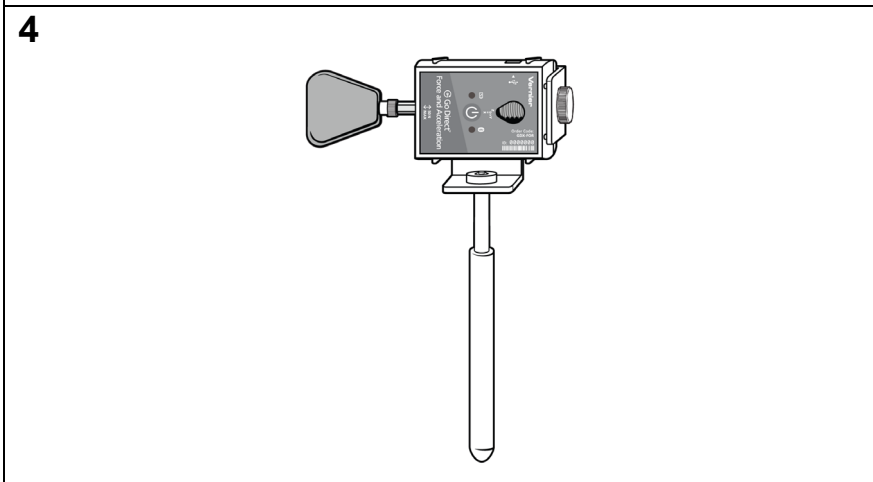
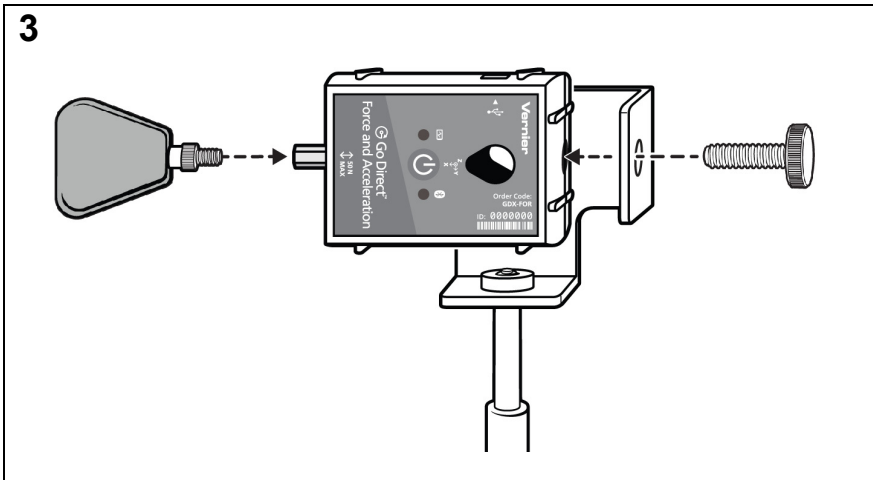
- Wide-taper head
- Narrow-taper head
- Bracket
- Handle

The Reflex Hammer Accessory Kit is used to turn Go Direct[®] Force and Acceleration or a Dual-Range Force Sensor (sensors not included) into a reflex hammer that collects data.

For more information, see www.vernier.com/rfx-acc

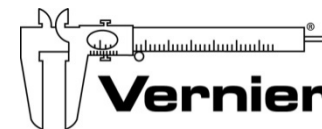
Assembly Instructions





Measure. Analyze. Learn.™
Vernier Software & Technology

13979 S. W. Millikan Way • Beaverton, OR 97005-2886
 Toll Free (888) 837-6437 • (503) 277-2299 • FAX (503) 277-2440
 info@vernier.com • www.vernier.com



Measure. Analyze. Learn.™
Vernier Software & Technology

13979 S. W. Millikan Way • Beaverton, OR 97005-2886
 Toll Free (888) 837-6437 • (503) 277-2299 • FAX (503) 277-2440
 info@vernier.com • www.vernier.com

